



TEXTURED WALL VENT

THDWV Textured, **Horizontal** Grain Wall Vent WITH DAMPER

THSWV Textured, **Horizontal** Grain Wall Vent WITH SCREEN

THSDWV Textured, **Horizontal** Grain Wall Vent WITH SCREEN AND DAMPER

TVDWV Textured, **Vertical** Grain Wall Vent WITH DAMPER

TVSWV Textured, **Vertical** Grain Wall Vent WITH SCREEN

TVSDWV Textured, **Vertical** Grain Wall Vent WITH SCREEN AND DAMPER



FOR USE

- Kitchen, bath or dryer exhaust
- Devices that require intake such as HRV and ERV systems
- Fresh air make-up

MATERIALS

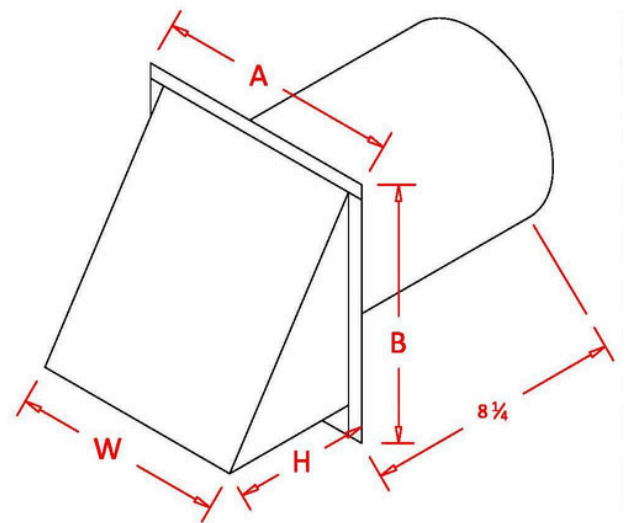
- Quality constructed from 26 gauge Paint Lock material which can be painted without etching, priming, or pre-treatment and 28 gauge pre-painted Galvanized Steel
- White, brown and black pre-painted options available
- Available with standard 8 1/4" long Galvanized Steel tube or 11/2" short tube, built into flange for wall mounted installation

FEATURES

- Embossed with either a vertical or horizontal wood grain texture
- Available with 1/4 inch insect screen to prevent birds and other pests from entering the duct
- Hinged gravity backdraft dampers
- Mounts flush with exterior cladding

BENEFITS

- Vertical or horizontal wood grain embossment helps the vent blend in with wood grain siding and cladding
- Steel tube speeds installation by penetrating through the entire building cavity
- Damper allows for steady air flow when venting



Size	A	B	W	H
3	6	6 7/16	5	3 1/4
4	6	6 7/16	5	3 1/4
5	7	7 7/16	6	3 3/4
6	8	8 7/16	7	4 7/16
7	9	9 7/16	8	4 15/16
8	10	10 3/8	9	5 9/16



TEXTURED WALL VENT

THFWV Textured, **Horizontal** Grain Wall Vent WITH DAMPER

THFWVE Textured, **Horizontal** Grain Wall Vent WITH SCREEN, DAMPER, AND GASKET

TVFWV Textured, **Vertical** Grain Wall Vent WITH DAMPER

TVFWVE Textured, **Vertical** Grain Wall Vent WITH SCREEN, DAMPER, AND GASKET



FOR USE

- Kitchen, bath or dryer exhaust where a low profile is desired

MATERIALS

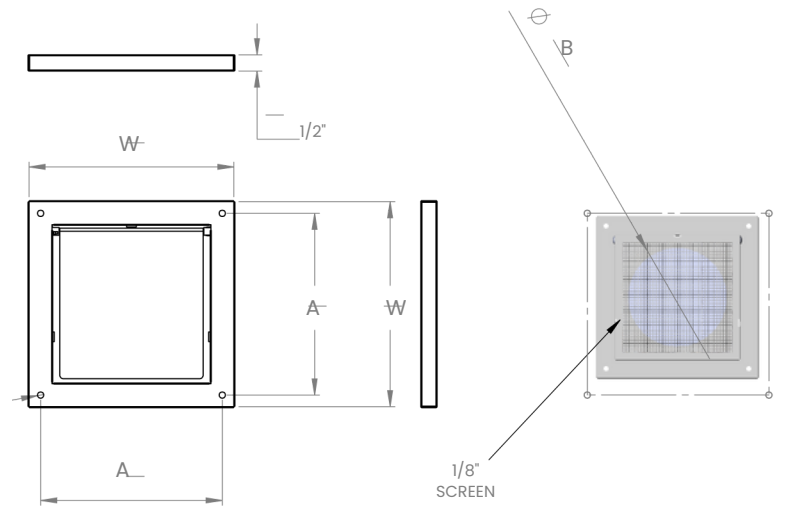
- Quality constructed from 26 gauge Paint Lock material which can be painted without etching, priming, or pre-treatment and 28 gauge pre-painted Galvanized Steel
- Brown and black pre-painted options available
- Available with standard 8 1/4" long Galvanized Steel tube or 1 1/2" short tube, built into flange for wall mounted installation

FEATURES

- Embossed with either a vertical or horizontal wood grain texture
- Available with 1/4 inch insect screen to prevent birds and other pests from entering the duct
- Hinged gravity backdraft dampers
- Mounts flush with exterior cladding

BENEFITS

- Vertical or horizontal wood grain embossment helps the vent blend in with wood grain siding and cladding
- Steel tube speeds installation by penetrating through the entire building cavity
- Damper allows for steady air flow when venting



Size	A	B	W
4	5 7/8	4 1/16	6 5/8
5	6 7/8	5 1/16	7 5/8
6	7 3/4	6 1/16	8 1/2
8	9 3/4	8 1/16	10 1/2



MANUAL DAMPER MODEL #MD

FOR USE

- Balancing and adjusting airflow in residential and commercial HVAC systems

MATERIALS

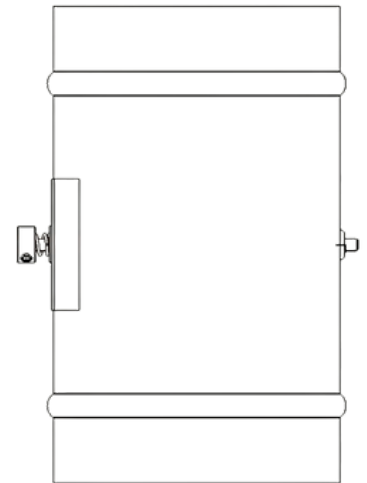
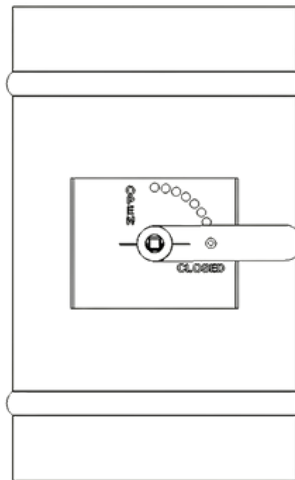
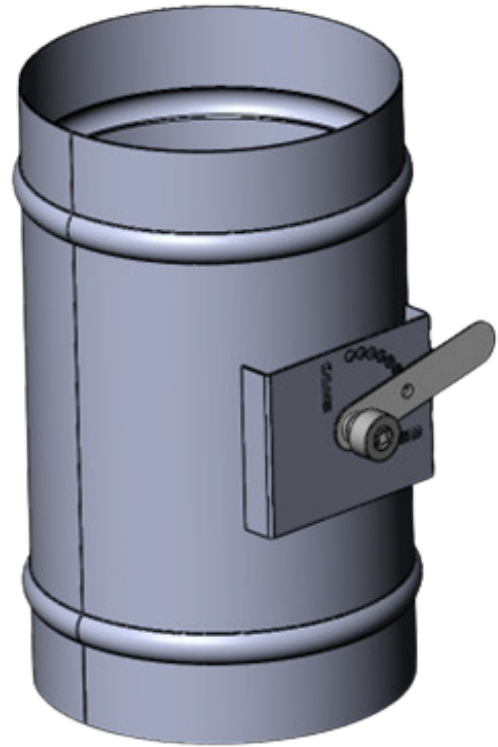
- Quality Constructed from 28 -22 gauge Galvanized Steel
- Single blade damper made from galvanized steel
- Locking level made from galvanized steel

FEATURES

- Manual locking lever can adjust up to 90 degrees balancing airflow within the HVAC system
- Can be used to regulate and balance airflow in dryer vents, system exhaust and heating and cooling vents.
- Made from galvanized steel, this damper fits in-line and is compatible with most round ducted systems

BENEFITS

- Ensures balanced static pressure out of all heating and cooling vents
- Simple, manual adjustments can control air volume in any duct system, ensure efficient and even heating and cooling



Size	D	L
4	4	10
5	5	10
6	6	10
7	7	10
8	8	10
10	10	10
12	12	12
14	14	14



MODULAR WALL VENT WALL VENT APPLICATIONS

MODEL #MWV6KIT

FOR USE

- Wall intake/exhaust applications
- Kitchen, bath or dryer exhaust
- Devices that require intake such as HRV and ERV systems
- Fresh air make-up

MATERIALS

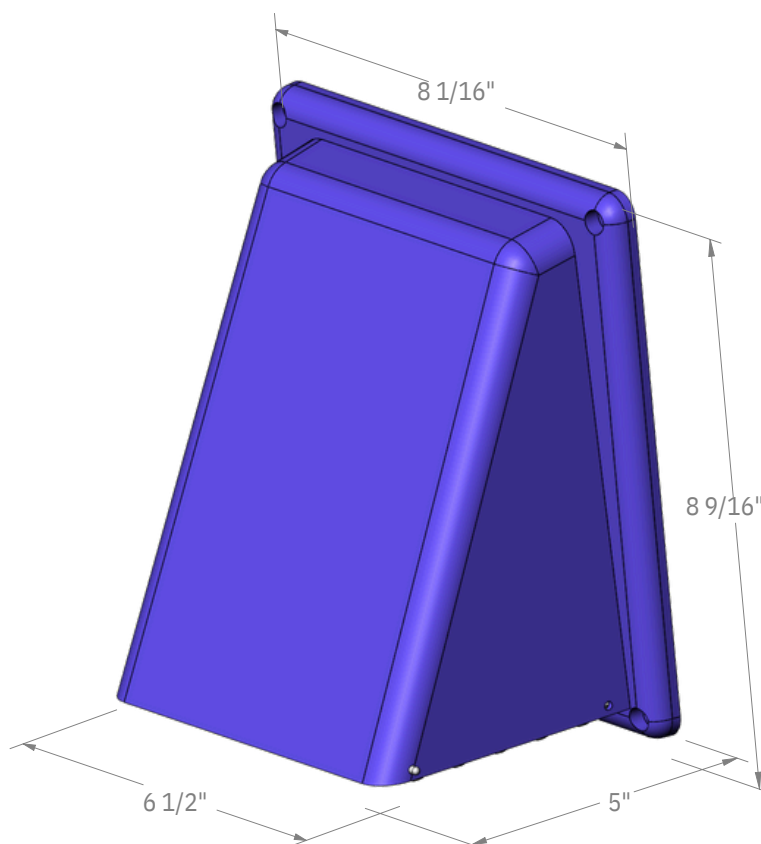
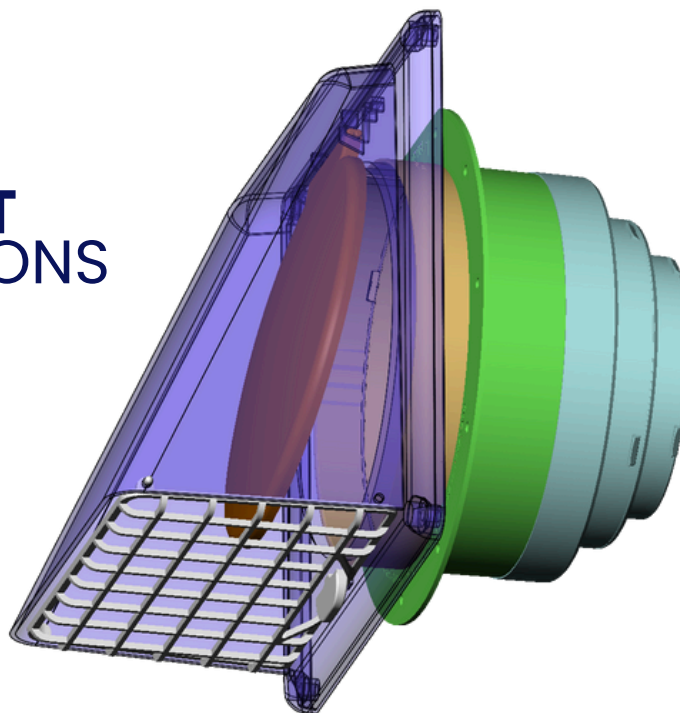
- Quality constructed from High Density Polyethylene polymer material
- Comes in black, with a lightly textured matte finish on the hood
- UV stabilized and resistant to impact

FEATURES

- Modular design comes in one complete kit with interchangeable screens, dampers, j-channels, flange and adapter to fit 4", 5" and 6" applications
- Available with either a 1/4" or 1/8" mesh screen to keep out birds and other pests
- Damper and screen can be removed
- Tab/slot system to ensure perfect orientation and fit during assembly
- J-Channel can accommodate 7/8" up to 1-1/2" siding

BENEFITS

- Replaces up to 30 SKUs in one kit
- Can be used in screen-only, damper-only or screen & damper configurations without having to buy separate part numbers
- Adapter fits 4" 5" and 6" ducts, facilitating a uniform look for all wall-mounted intake/exhaust vents
- Screen and damper can be removed, making cleaning and servicing easier without having to damage exterior surfaces





MODULAR WALL VENT UNDER EAVE APPLICATIONS MODEL #MWV6KIT

FOR USE

- Under Eave exhaust applications
- Kitchen, bath or dryer exhaust

MATERIALS

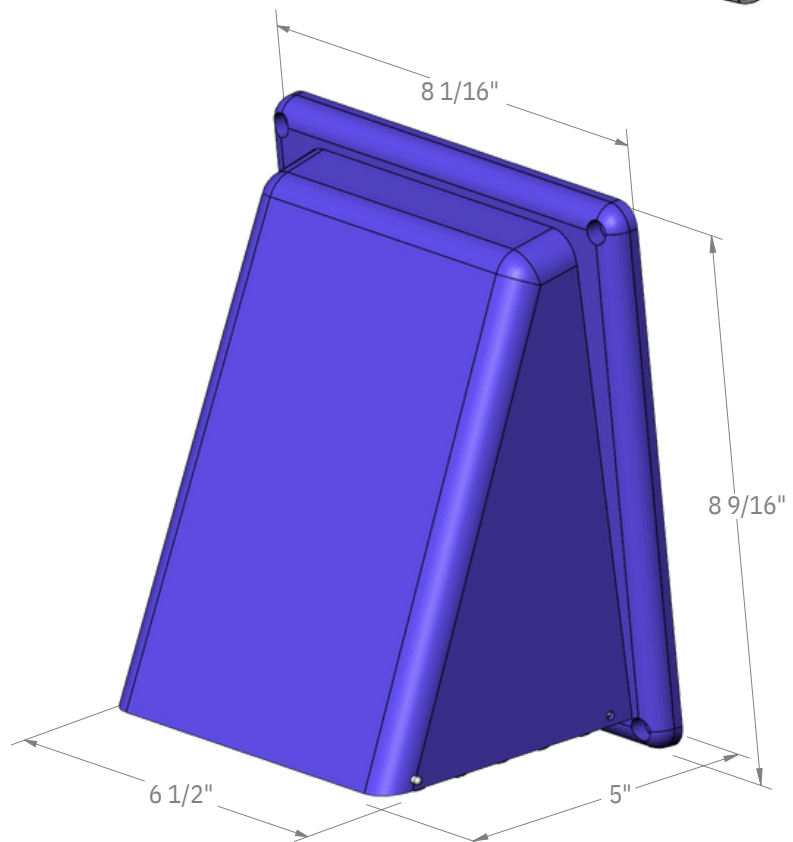
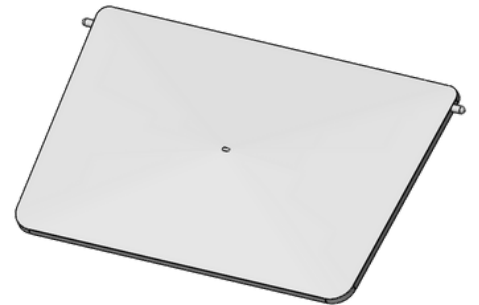
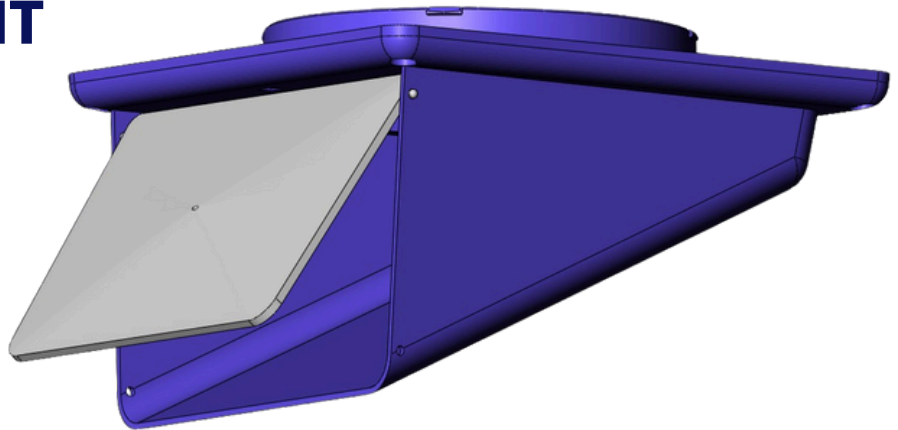
- Quality constructed from High Density Polyethylene polymer material
- Comes in black, with a lightly textured matte finish on the hood
- UV stabilized and resistant to impact

FEATURES

- Low profile modular design comes in one complete kit with interchangeable screens, dampers, j-channels, flange and adapter to fit 4", 5" and 6" applications
- Available with a snap-in gravity damper oriented specifically for under-eave applications
- Tab/slot system to ensure perfect orientation and fit during assembly
- J-Channel can accommodate 7/8" up to 1-1/2" siding

BENEFITS

- Replaces multiple SKUs in one kit
- Can be used in flush or j-channel applications without having to buy separate part numbers
- Adapter fits 4" 5" and 6" ducts, facilitating a uniform look for all wall-mounted intake/exhaust vents
- Damper can be removed, making cleaning and servicing easier without having to damage exterior surfaces





MODULAR WALL VENT TUBE CONFIGURATIONS

MODEL #MWV6KIT

FOR USE

- Wall intake/exhaust applications
- Kitchen, bath or dryer exhaust
- Devices that require intake such as HRV and ERV systems
- Fresh air make-up

MATERIALS

- Quality constructed from High Density Polyethylene polymer material
- Comes in black, with a lightly textured matte finish on the hood
- UV stabilized and resistant to impact

FEATURES

- Modular design comes in one complete kit with interchangeable screens, dampers, j-channels, flange and duct adapter to fit 4", 5" and 6" applications
- Adapter has raised tabs to help ensure a good connection to ducting
- J-Channel insert has notches that click into place allowing for a variety of heights
- The J-Channel can accommodate 7/8" when fully nested, or up to 1-1/2" siding when extended to the full length

BENEFITS

- Replaces up to 30 SKUs in one kit
- J-Channel allows termination of exterior siding, brick or stone to the duct flange while still providing enough overlap to ensure a good seal
- Adapter fits 4" 5" and 6" ducts, facilitating a uniform look for all wall-mounted intake/exhaust vents
- Screen and damper can be removed, making cleaning and servicing easier without having to damage exterior surfaces

